



GROUSER BARS & ICE LUGS

For more information contact us at:

Ph: **(780) 488-1178** or toll free at **(877) 588-1178**

Fax: (780) 451-4794 or toll free at (877) 688-1193

Email: info@rfbutler.com

5905 97 Street • Edmonton, AB T6E 3J2

For over 55 years R.F. Butler has been supplying the highest quality Grouser Bars & Ice lugs available. Abrasion tests prove our Bar lasts over 28% longer than our closest competitor.

We offer custom packaging & quantity options, and as always we offer **High Carbon, Heat Treated** and **High Chrome Heat Treated** Grouser Bar in 15 different profiles, specifically designed to fit any equipment size & budget.

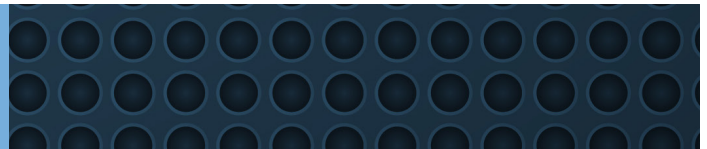
Custom cut lengths available on all profiles.

**ALL HIGH CARBON PROFILES
(L / A / K / F / C BAR)
ARE STOCKED
IN 3" & 4" LENGTHS**



We carry a large inventory of pre-cut Ice Lugs with same day shipping.

GROUSER BARS DISPLAYED AT ACTUAL SIZE

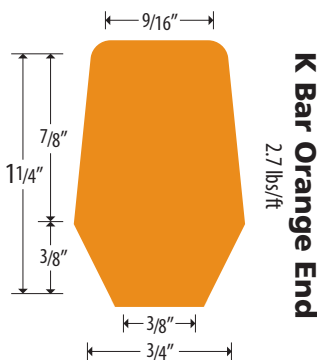
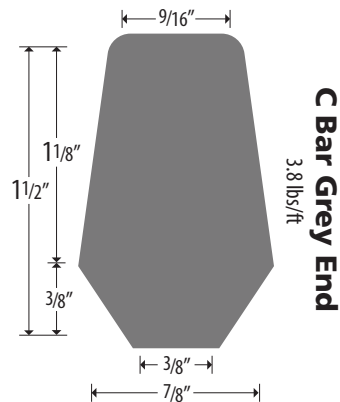
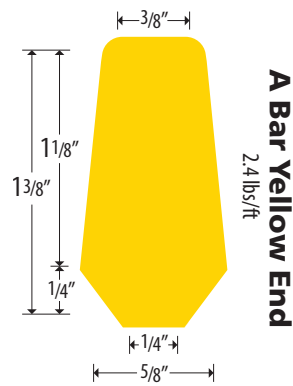
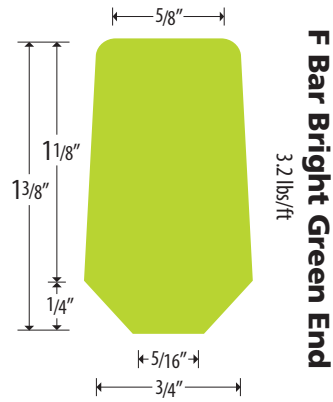
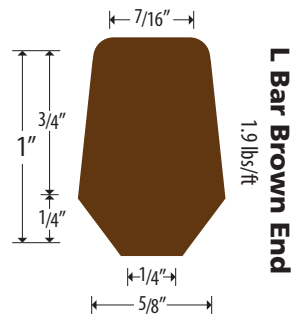


HIGH CARBON | GROUSER BAR



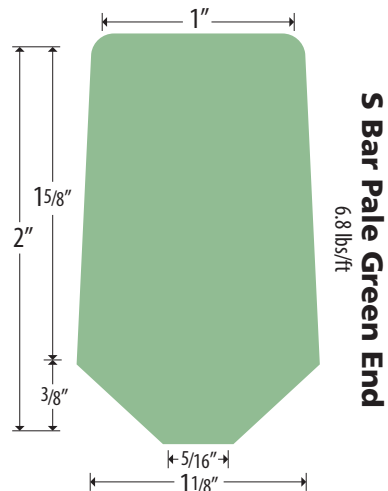
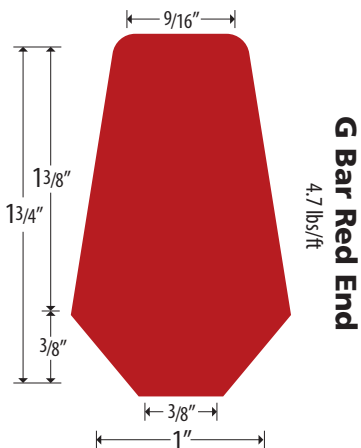
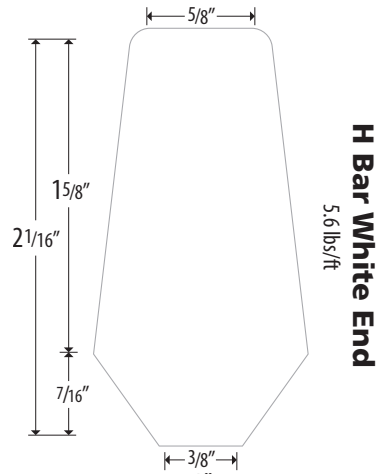
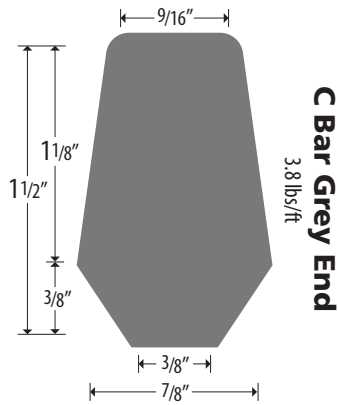
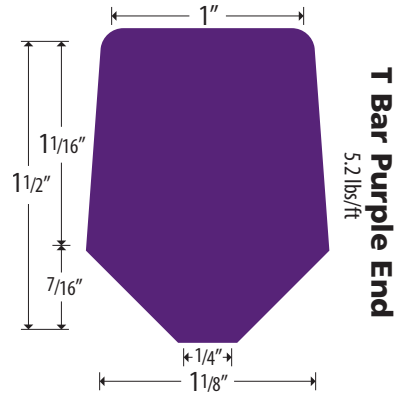
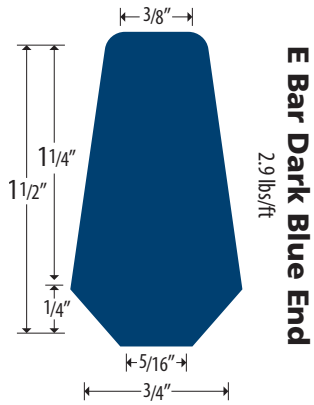
Available in 10' lengths or 3" & 4" standard ice lug lengths. Custom cut lengths also available on all High Carbon profiles.

ROCKWELL HARDNESS 25 - 30



Heat Treated - Boron steel increases ductility, toughness, and wear resistance. Available in 10' lengths. Some pre-cut profiles available. Custom cut lengths also available on all Heat Treated profiles.

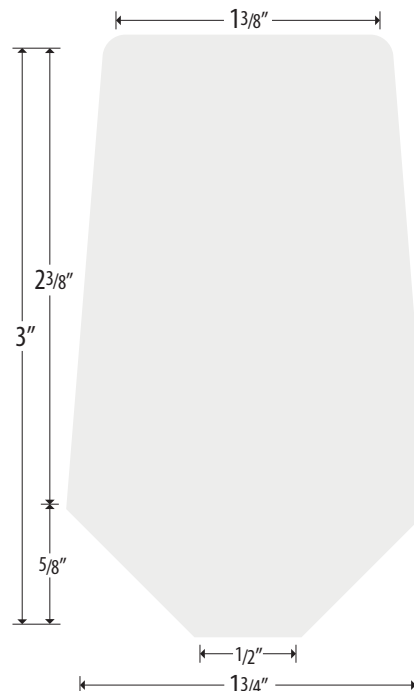
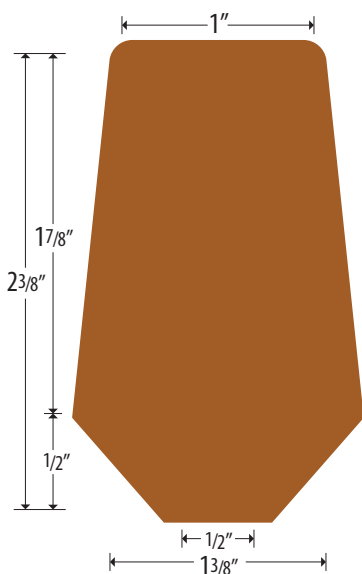
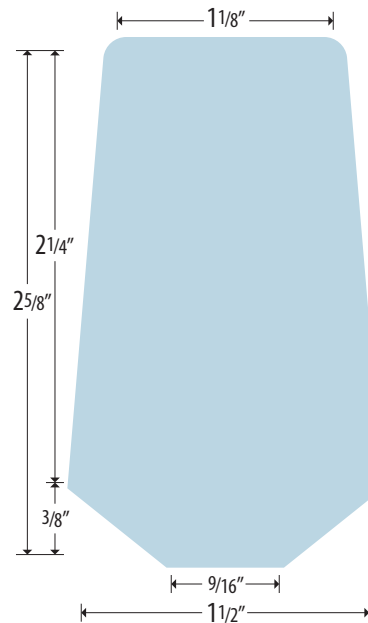
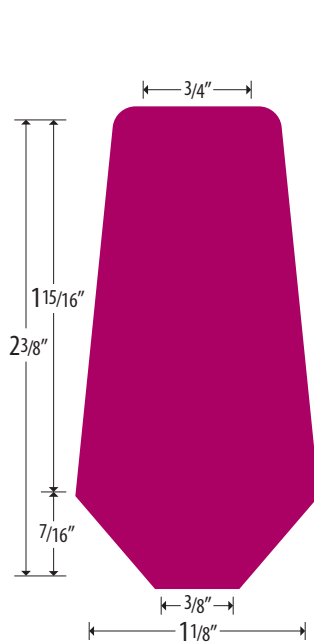
ROCKWELL HARDNESS 45 - 50





Increased Chromium content promotes a more thorough Heat Treatment with higher toughness and wear resistance. Chrom-X profiles are available in 10' and pre-cut lengths (as listed). Custom cut lengths also available on all Chrom-X profiles.

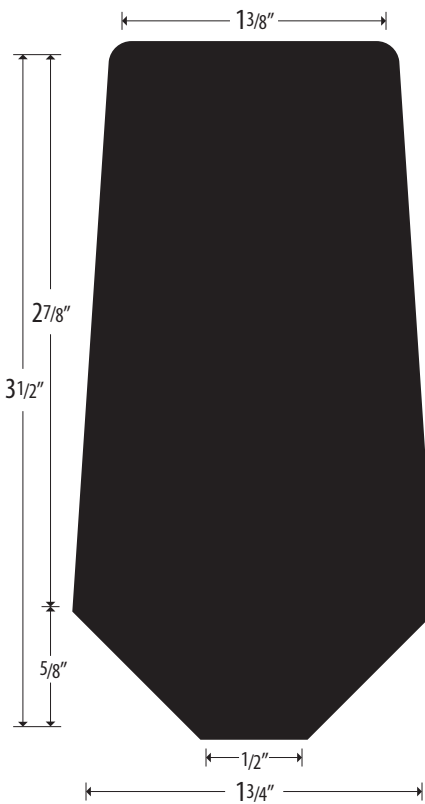
**ROCKWELL
HARDNESS 47 - 52**



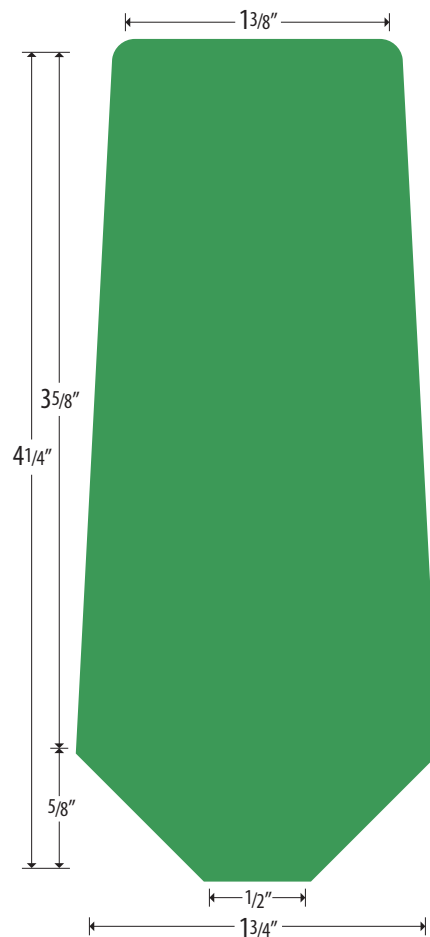


Increased Chromium content promotes a more thorough Heat Treatment with higher toughness and wear resistance. Chrom-X profiles are available in 10' and pre-cut lengths (as listed). Custom cut lengths also available on all Chrom-X profiles.

ROCKWELL
HARDNESS **47 - 52**



X Bar Black End
17.6 lbs/ft | Lengths Available: 24', 27', 34'



Z Bar Green End
21.6 lbs/ft | Lengths Available: 34'

SUGGESTED GROUSER BAR PROFILES | SELECTION CHART

CATERPILLAR®

TRACTOR MODEL	SUGGESTED RE-GROUSER PROFILE	SUGGESTED ICE - LUG PROFILE
D2 (all), D3, D4 (all), 931, 933, 941, 955	L	L
D5 (all), D6, 561, 951, 955 K & L, 977	A, E	L, A
D6C, D7 (all), 571A, 572, 977	L, A, K, E	L, A, K
D8, 583, 983	C, G, H	K, E, F, C
D8H, D8K, D8N, D8R	C, G, H	K, E, F, C
D8L, D9, D9G, D9H	H, S, J, M	K, E, F, C, G, H
D9L	S, M, P	K, E, F, C, G, H
D10N, D10L	S, M, P, R, X	G, H, T, S, M, J
D11N, D11R, D11T	R, X, Z	S, M, J, P

HITACHI

TRACTOR MODEL	SUGGESTED RE-GROUSER PROFILE	SUGGESTED ICE - LUG PROFILE
ZX17U-5, ZX26U-5, ZX35U-5, ZX60USB-5	L, A, K	L, A
ZX130-5, ZX160LC-5, ZX180LC-5	L, A, K	L, A
ZX210LC-6, ZX210-6, ZX250LC-6, ZX290LC-5	L, A, K	L, A
ZX300LC-6, ZX350LC-6, ZX380LC-6	L, A, K, E, F	L, A, K
ZX470LC-6, ZX670LC-6,	A, K, E, F	L, A, K, E
ZX870LC-6	E, F, T, H, S, J	K, E, F, C, G, H

VOLVO

TRACTOR MODEL	SUGGESTED RE-GROUSER PROFILE	SUGGESTED ICE - LUG PROFILE
EC140D, EC140E, ECR145D, ECR145E	L, A, K	L
ECR235D, ECR235E, EC160D, EC220D, EC220E	A, K	L, A
EC250D, EC250E, EC300D, EC300E	A, K, E, F, C	A, K, E, F
ECR305C, EC340D, EC350E, EC280E	K, E, F, C	A, K, E, F
EC480D, EC480E	E, F, C, G, H	K, E, F, C
EC700C	H, S, J, M, P	G, H, T, S, M, J



JOHN DEERE

TRACTOR MODEL	SUGGESTED RE-GROUSER PROFILE	SUGGESTED ICE - LUG PROFILE
350, 350B, 420, 430, 440, 1010, 2010	L	L
450, 450B, 555, 850	K, A, E	L, A
1050	H, S, J, M	K, E, F, C, G, H

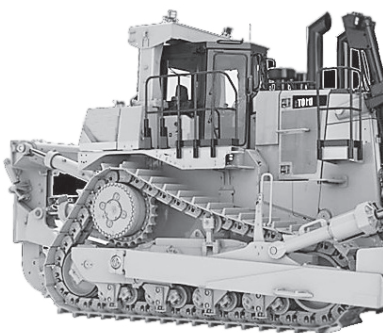
KOMATSU

TRACTOR MODEL	SUGGESTED RE-GROUSER PROFILE	SUGGESTED ICE - LUG PROFILE
D41, D50, D53, D55, D58, D63	L, A	L, A
D60, D65, D68, D75, D80, D83, D85	K, E	L, A, K, E, F
D135, D155, D155AX	G, T, H, S,	L, A, K, E, F
D275, D355, D375A-1	M, J, P	K, E, F, C, G, H
D375A-2	M, J, P, R	F, C, G, H, S
D475A-2	P, R, X	G, H, S, J, M, P
D575A	R, X, Z	S, M, J, P



CASE

TRACTOR MODEL	SUGGESTED RE-GROUSER PROFILE	SUGGESTED ICE - LUG PROFILE
310 (all), 350, 420B, 450, 520	L, A	L
600B, 750, 800, 850, 1000, 1010		
1150, 1550	A, K, E, F, C	L, A, K



rfbutler.com

For more information contact:

R.F. Butler

5905 97 Street

Edmonton, AB T6E 3J2

(780) 488-1178 or toll free at **(877) 588-1178**

Fax: (780) 451-4794 or toll free at (877) 688-1193

Email: info@rfbutler.com